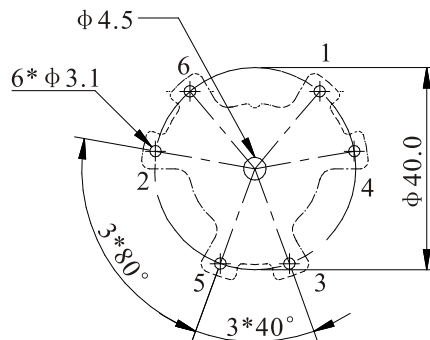
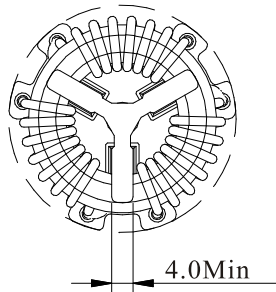
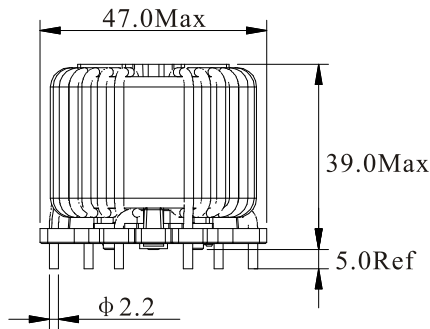
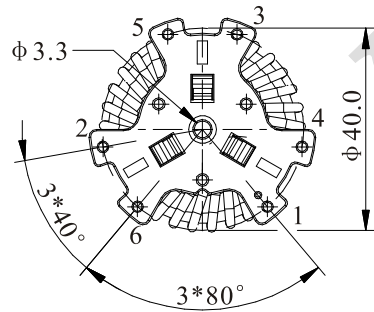


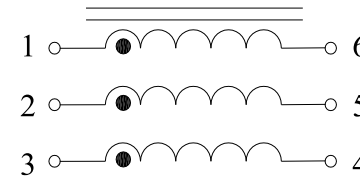
Rev.	Description	Date
A0	New release	2024.03.06

1. PHYSICAL CHARACTERISTICS (mm)



Recommended PCB Hole Pattern

2. ELECTRONICAL SCHEMATIC



3. ELECTRONICAL SPECIFICATIONS

- L(1-4): 0.52mH ± 30% @10KHz, 0.1V
- DCR(1-4): 3.0mΩ Max
- Rated current: 24A Max
- Rated voltage: 500VAC, 50Hz
- Hi-Pot: 2500VAC, 50Hz, 2S
- Operating temperature: -40°C to +125°C
- Storage temperature: -40°C to +70°C

Note:

1. Solderability: leads shall meet MIL-STD-202, Method 208D for solderability.
2. Flammability: UL94V-0
3. ASTM oxygen index: >28%

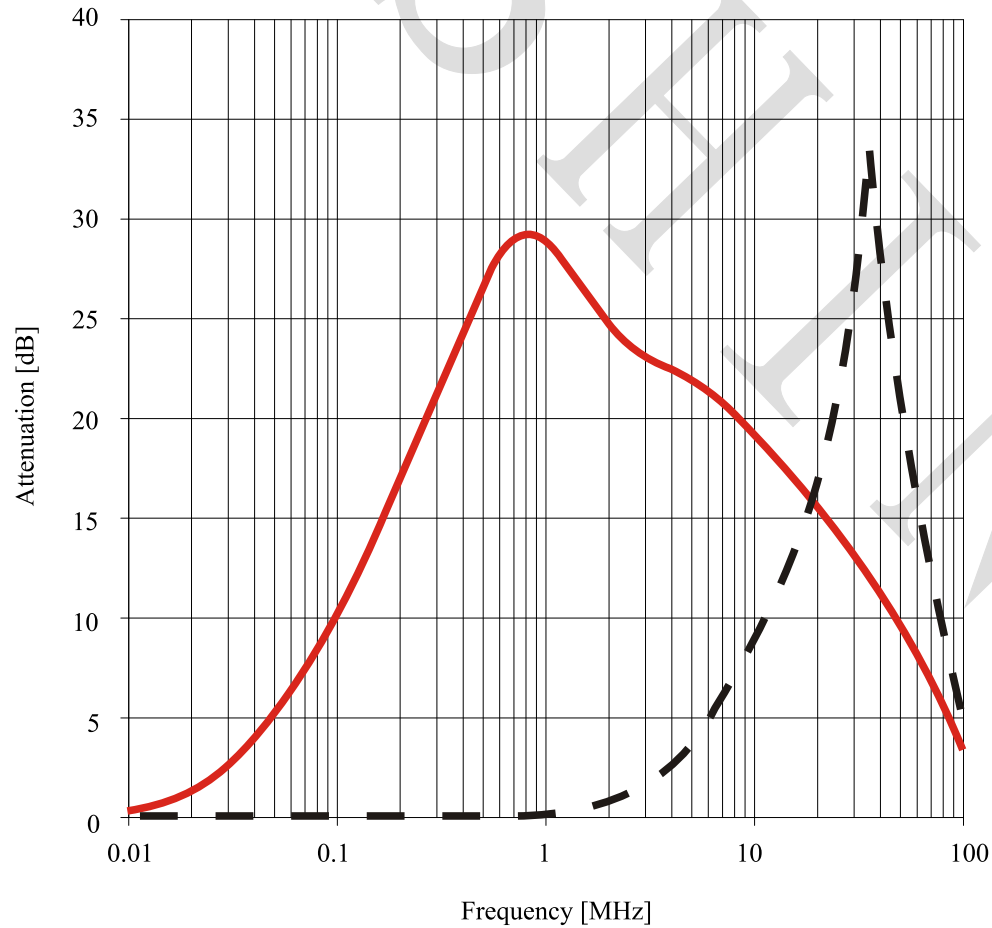
NAME:	Common mode inductors		
CUSTOMER P/N:	744833005240	DATE:	2024-03-06
SHINHOM P/N:	TRF4024HT-3W-521Y-24A	REV: A0	PAGE
DRAWN BY	CHECKED BY	APPROVE BY	



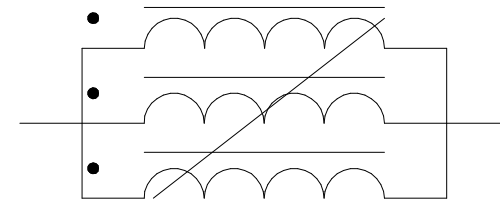
SHINHOM
SHAANXISHINHOM ENTERPRISE CO LTD

The Document property belong to SHINHOM & is not allowed to be duplicated without authorization

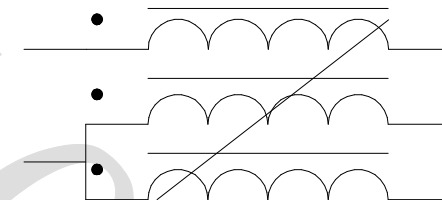
Typical Insertion Loss:



Common mode



Differential mode



NAME:	Common mode inductors		
CUSTOMER P/N:	744833005240	DATE:	2024-03-06
SHINHOM P/N:	TRF4024HT-3W-521Y-24A	REV:	A0 PAGE
DRAWN BY	CHECKED BY	APPROVE BY	

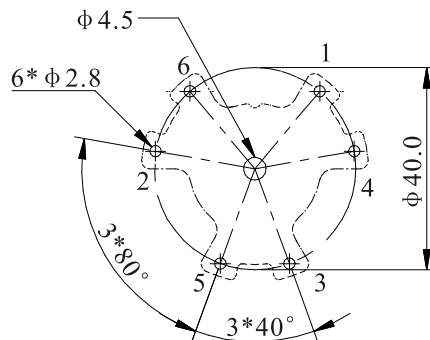
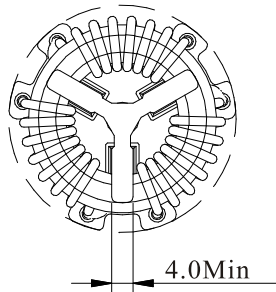
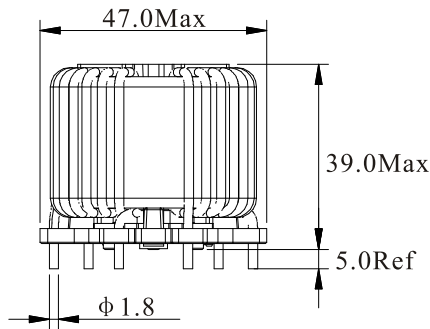
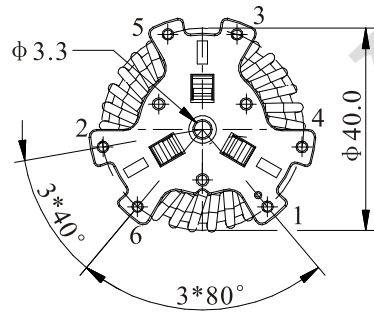


SHINHOM
SHAANXISHINHOM ENTERPRISE CO LTD

The Document property belong to SHINHOM & is not allowed to be duplicated without authorization

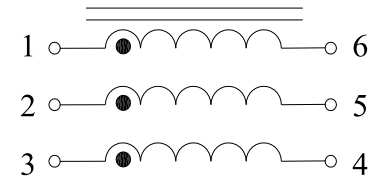
Rev.	Description	Date
A0	New release	2024.03.06

1. PHYSICAL CHARACTERISTICS (mm)



Recommended PCB Hole Pattern

2. ELECTRONICAL SCHEMATIC



3. ELECTRONICAL SPECIFICATIONS

L(1-4): 1.1mH ± 30% @10KHz, 0.1V

DCR(1-4): 7.0mΩ Max

Rated current: 18A Max

Rated voltage: 500VAC, 50Hz

Hi-Pot: 2500VAC, 50Hz, 2S

Operating temperature: -40°C to +125°C

Storage temperature: -40°C to +70°C

Note:

- Solderability: leads shall meet MIL-STD-202, Method 208D for solderability.
- Flammability: UL94V-0
- ASTM oxygen index: >28%

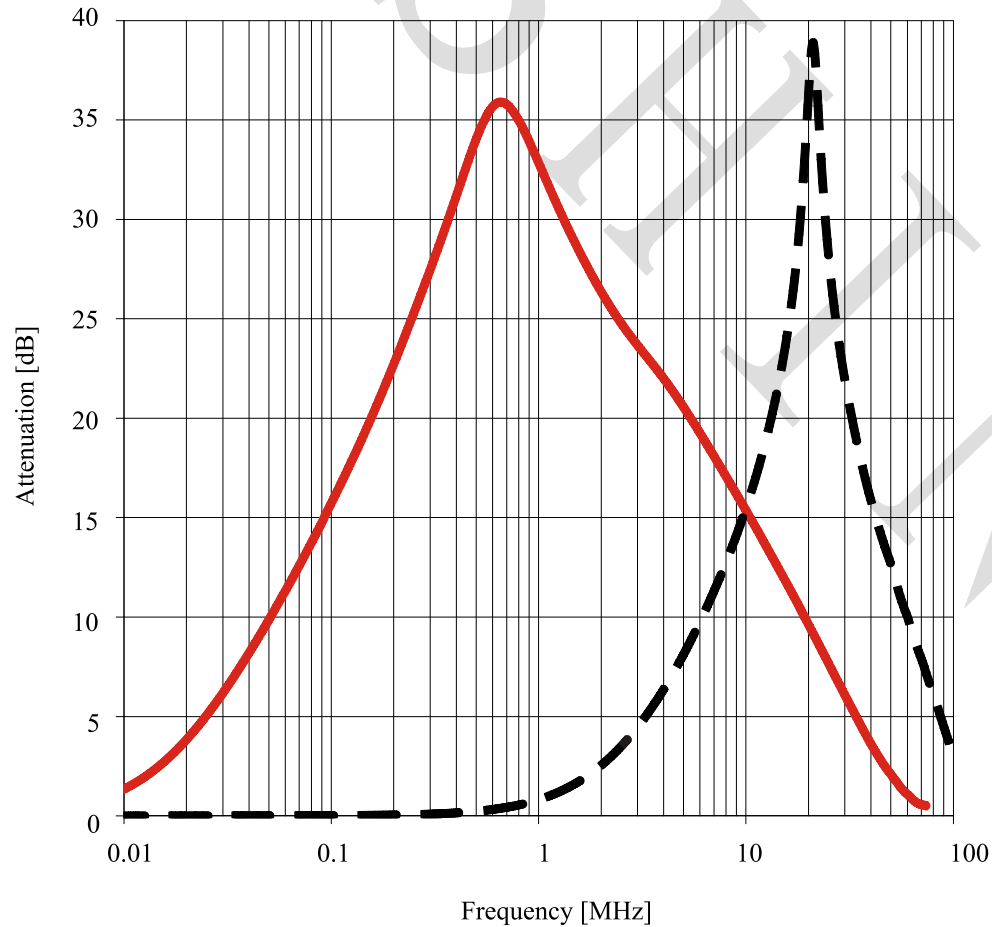
NAME:	Common mode inductors		
CUSTOMER P/N:	744833011180	DATE:	2024-03-06
SHINHOM P/N:	TRF4024HT-3W-112Y-18A	REV:	A0
DRAWN BY	CHECKED BY	APPROVE BY	



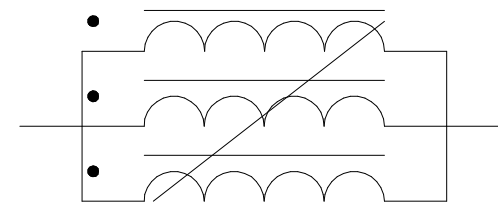
SHINHOM
SHAANXISHINHOM ENTERPRISE CO LTD

The Document property belong to SHINHOM & is not allowed to be duplicated without authorization

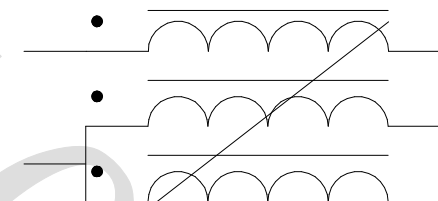
Typical Insertion Loss:



Common mode



Differential mode



NAME:	Common mode inductors		
CUSTOMER P/N:	744833011180	DATE:	2024-03-06
SHINHOM P/N:	TRF4024HT-3W-112Y-18A	REV: A0	PAGE
DRAWN BY	CHECKED BY	APPROVE BY	

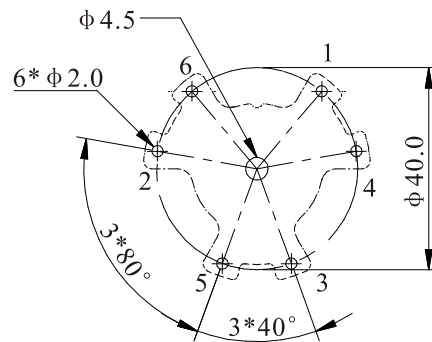
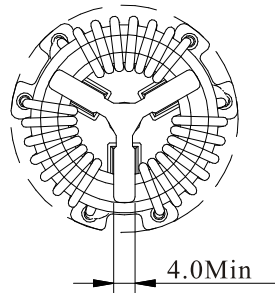
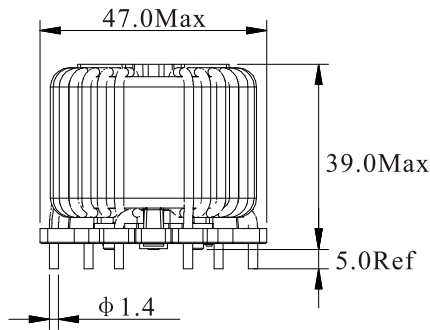
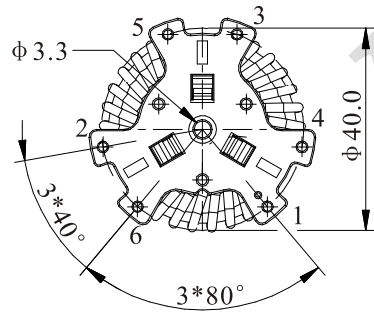


SHINHOM
SHAANXISHINHOM ENTERPRISE CO LTD

The Document property belong to SHINHOM & is not allowed to be duplicated without authorization

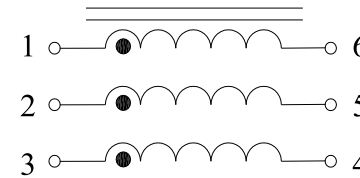
Rev.	Description	Date
A0	New release	2024.03.06

1. PHYSICAL CHARACTERISTICS (mm)



Recommended PCB Hole Pattern

2. ELECTRONICAL SCHEMATIC



3. ELECTRONICAL SPECIFICATIONS

- L(1-4): 2.7mH ± 30% @10KHz, 0.1V
- DCR(1-4): 18.0mΩ Max
- Rated current: 11A Max
- Rated voltage: 500VAC, 50Hz
- Hi-Pot: 2500VAC, 50Hz, 2S
- Operating temperature: -40°C to +125°C
- Storage temperature: -40°C to +70°C

Note:

1. Solderability: leads shall meet MIL-STD-202, Method 208D for solderability.
2. Flammability: UL94V-0
3. ASTM oxygen index: >28%

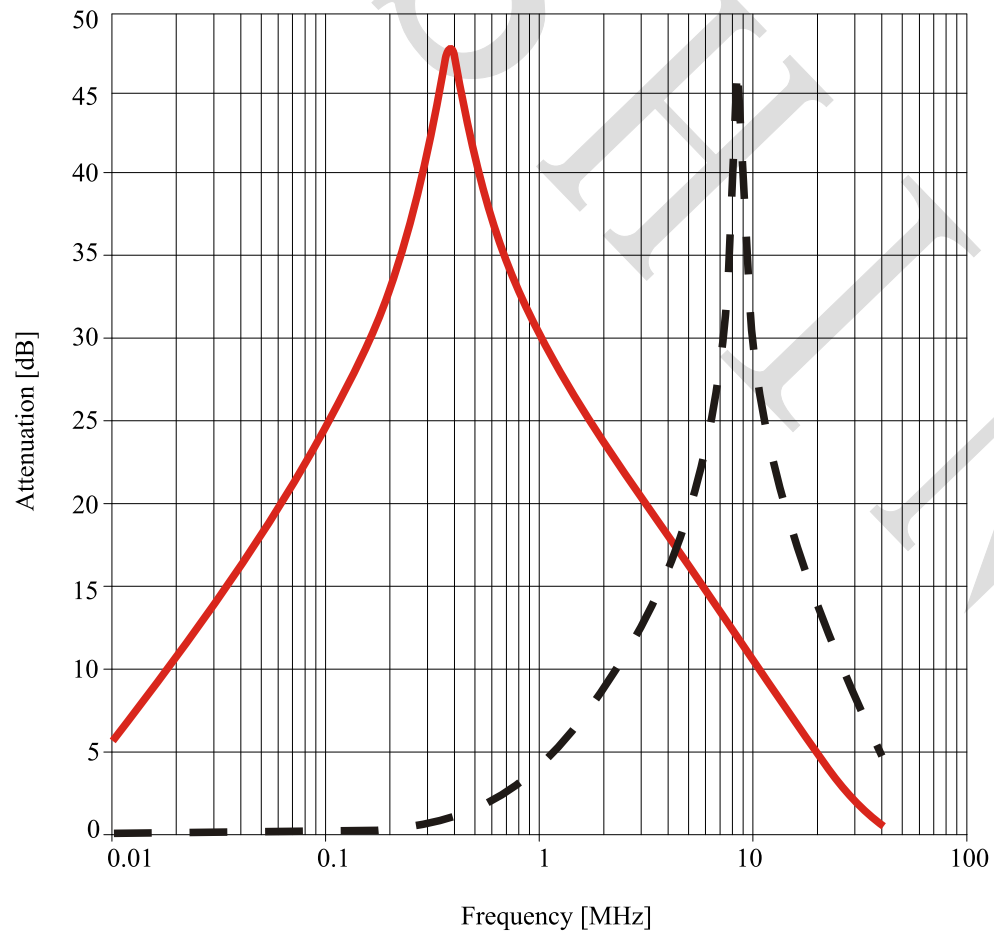
NAME:	Common mode inductors		
CUSTOMER P/N:	744833027110	DATE:	2024-03-06
SHINHOM P/N:	TRF4024HT-3W-272Y-11A	REV: A0	PAGE
DRAWN BY	CHECKED BY	APPROVE BY	



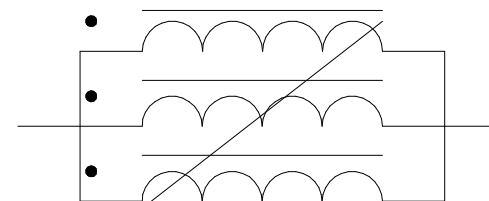
SHINHOM
SHAANXISHINHOM ENTERPRISE CO LTD

The Document property belong to SHINHOM & is not allowed to be duplicated without authorization

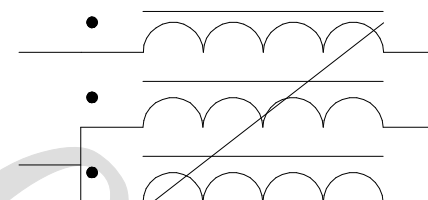
Typical Insertion Loss:



Common mode



Differential mode



SHINHOM
SHAANXISHINHOM ENTERPRISE CO LTD

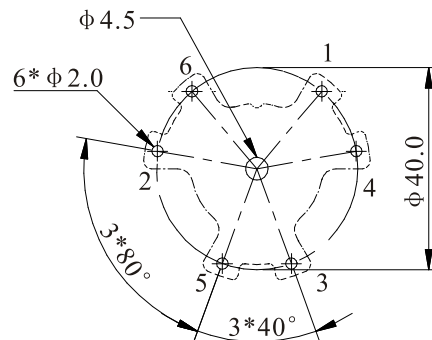
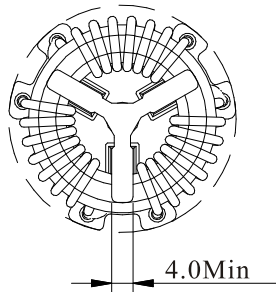
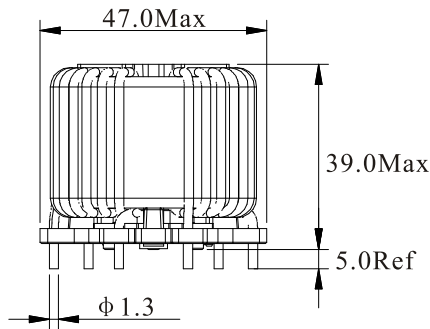
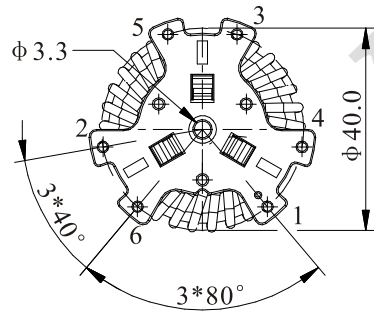
The Document property belong to SHINHOM & is not allowed to be duplicated without authorization

NAME:	Common mode inductors		
CUSTOMER P/N:	744833027110	DATE:	2024-03-06
SHINHOM P/N:	TRF4024HT-3W-272Y-11A	REV:	A0
DRAWN BY	CHECKED BY	APPROVE BY	

PAGE

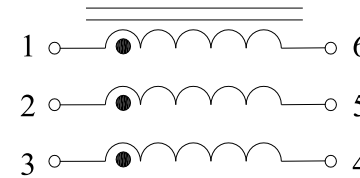
Rev.	Description	Date
A0	New release	2024.03.06

1. PHYSICAL CHARACTERISTICS (mm)



Recommended PCB Hole Pattern

2. ELECTRONICAL SCHEMATIC



3. ELECTRONICAL SPECIFICATIONS

- L(1-4): 5.2mH ± 30% @10KHz, 0.1V
- DCR(1-4): 27.0mΩ Max
- Rated current: 10A Max
- Rated voltage: 500VAC, 50Hz
- Hi-Pot: 2500VAC, 50Hz, 2S
- Operating temperature: -40°C to +125°C
- Storage temperature: -40°C to +70°C

Note:

1. Solderability: leads shall meet MIL-STD-202, Method 208D for solderability.
2. Flammability: UL94V-0
3. ASTM oxygen index: >28%

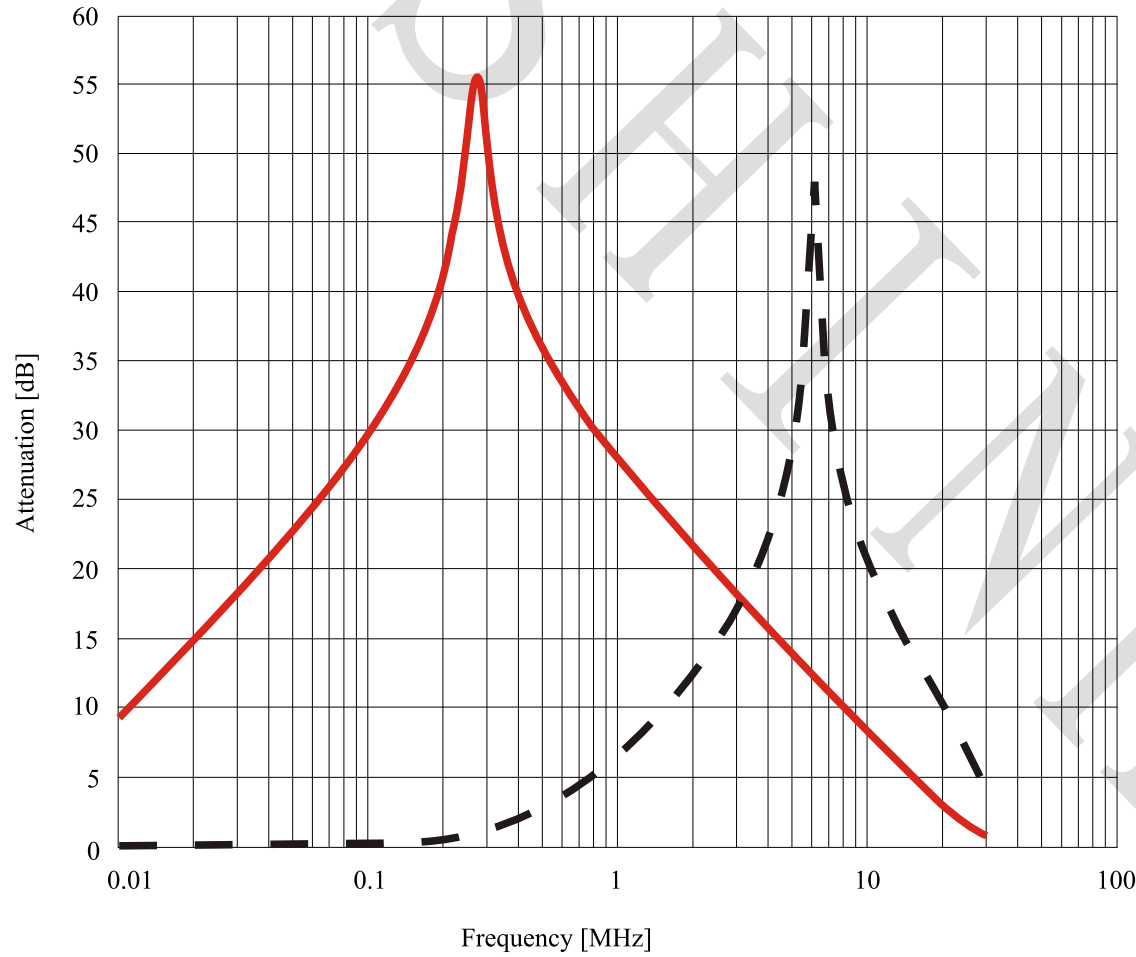
NAME:	Common mode inductors		
CUSTOMER P/N:	744833052100	DATE:	2024-03-06
SHINHOM P/N:	TRF4024HT-3W-522Y-10A	REV: A0	PAGE
DRAWN BY	CHECKED BY	APPROVE BY	



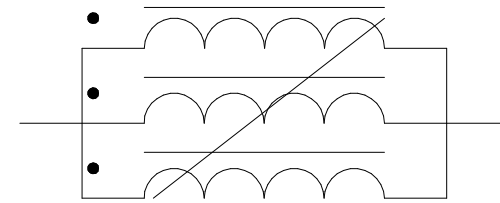
SHINHOM
SHAANXISHINHOM ENTERPRISE CO LTD

The Document property belong to SHINHOM & is not allowed to be duplicated without authorization

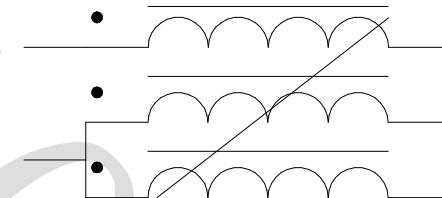
Typical Insertion Loss:



Common mode



Differential mode



NAME:	Common mode inductors		
CUSTOMER P/N:	744833052100	DATE:	2024-03-06
SHINHOM P/N:	TRF4024HT-3W-522Y-10A	REV:	A0
DRAWN BY	CHECKED BY	APPROVE BY	

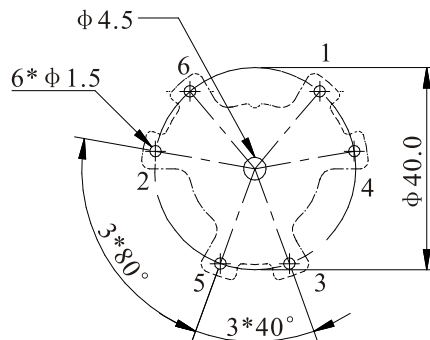
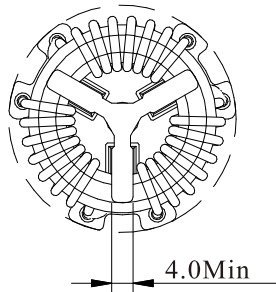
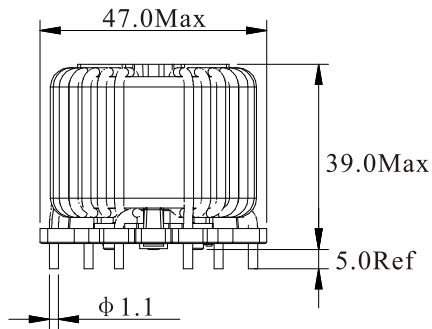
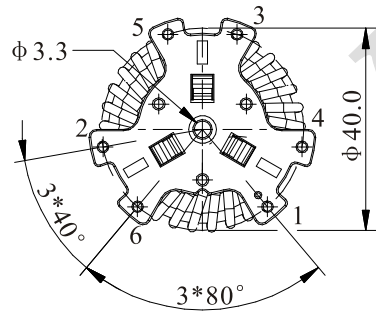


SHINHOM
SHAANXISHINHOM ENTERPRISE CO LTD

The Document property belong to SHINHOM & is not allowed to be duplicated without authorization

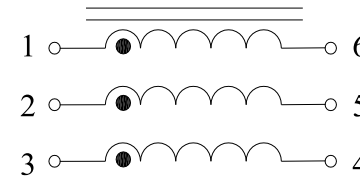
Rev.	Description	Date
A0	New release	2024.03.06

1. PHYSICAL CHARACTERISTICS (mm)



Recommended PCB Hole Pattern

2. ELECTRONICAL SCHEMATIC



3. ELECTRONICAL SPECIFICATIONS

- L(1-4): 8.4mH ± 30% @10KHz, 0.1V
- DCR(1-4): 50.0mΩ Max
- Rated current: 7.5A Max
- Rated voltage: 500VAC, 50Hz
- Hi-Pot: 2500VAC, 50Hz, 2S
- Operating temperature: -40°C to +125°C
- Storage temperature: -40°C to +70°C

Note:

1. Solderability: leads shall meet MIL-STD-202, Method 208D for solderability.
2. Flammability: UL94V-0
3. ASTM oxygen index: >28%

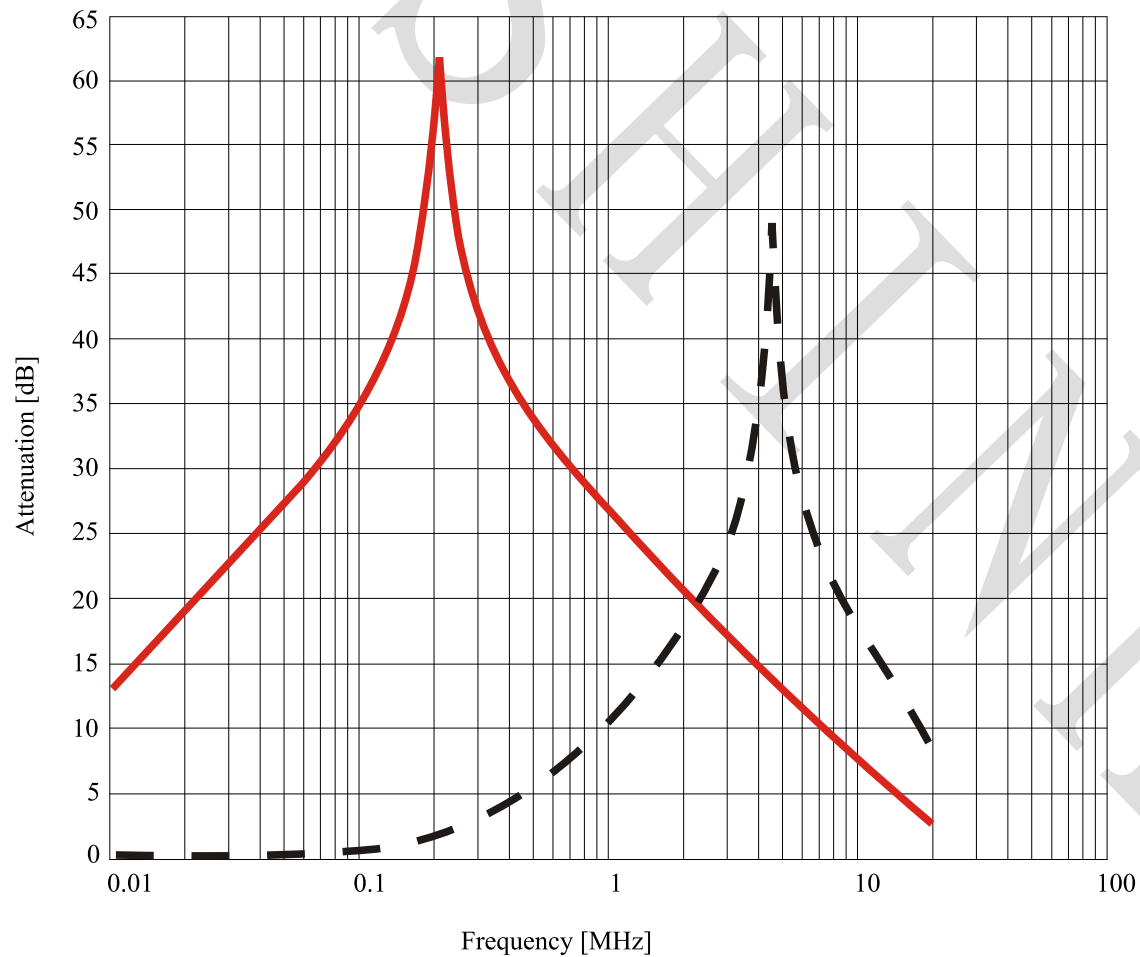
NAME:	Common mode inductors		
CUSTOMER P/N:	744833084075	DATE:	2024-03-06
SHINHOM P/N:	TRF4024HT-3W-842Y-7.5A	REV:	A0 PAGE
DRAWN BY	CHECKED BY	APPROVE BY	



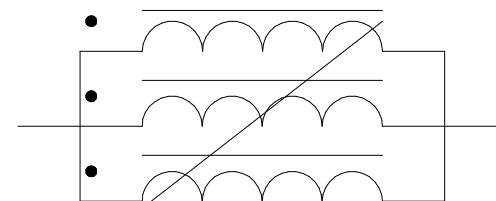
SHINHOM
SHAANXISHINHOM ENTERPRISE CO LTD

The Document property belong to SHINHOM & is not allowed to be duplicated without authorization

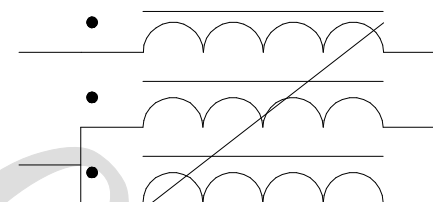
Typical Insertion Loss:



Common mode



Differential mode



SHINHOM
SHAANXISHINHOM ENTERPRISE CO LTD

The Document property belong to SHINHOM & is not allowed to be duplicated without authorization

NAME:	Common mode inductors		
CUSTOMER P/N:	744833084075	DATE:	2024-03-06
SHINHOM P/N:	TRF4024HT-3W-842Y-7.5A	REV:	A0 PAGE
DRAWN BY	CHECKED BY	APPROVE BY	