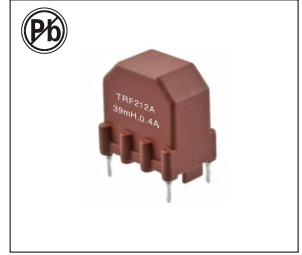


# COMMON MODE POWER LINE CHOKE

## TRF212A SERIES



### FEATURES:

- Easy assembly due to 4 pole housing
- Compact, small size
- 4 soldering pins for perfect mechanical decoupling
- Toroidal core choke with sector winding
- High interference suppression for common mode interferences in low and middle frequency ranges
- Low stray field

### APPLICATIONS:

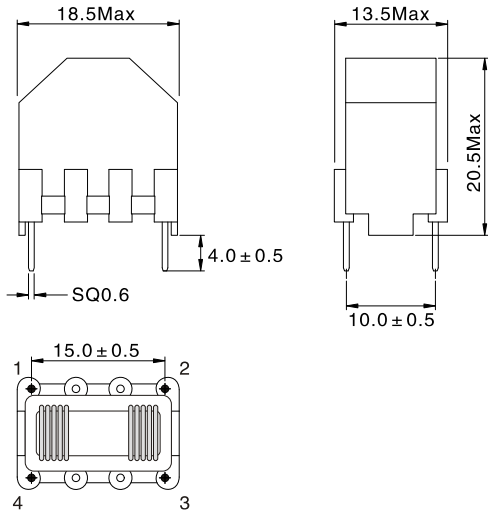
- Power electronics
- SMPS
- Power line filter
- Suppression for common mode noise

### ELECTRICAL CHARACTERISTICS:

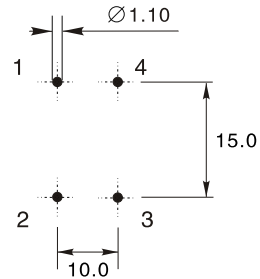
Part Number	L (mH)	Tolerance (%)	Rated Current (A)	RDC max. (Ω)
TRF212A-401N	0.4	± 30	3.6	0.02
TRF212A-102N	1.0		2.0	0.06
TRF212A-332N	3.3		1.5	0.15
TRF212A-682N	6.8		1.0	0.3
TRF212A-103N	10		0.7	0.55
TRF212A-183N	18		0.5	0.75
TRF212A-273N	27		0.4	1.2
TRF212A-393N	39		0.4	1.7
TRF212A-473N	47		0.3	2.6

### PHYSICAL CHARACTERISTICS:

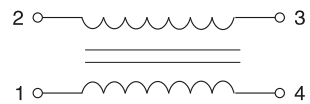
#### Dimensions 1



#### Hole pattern(in mm)



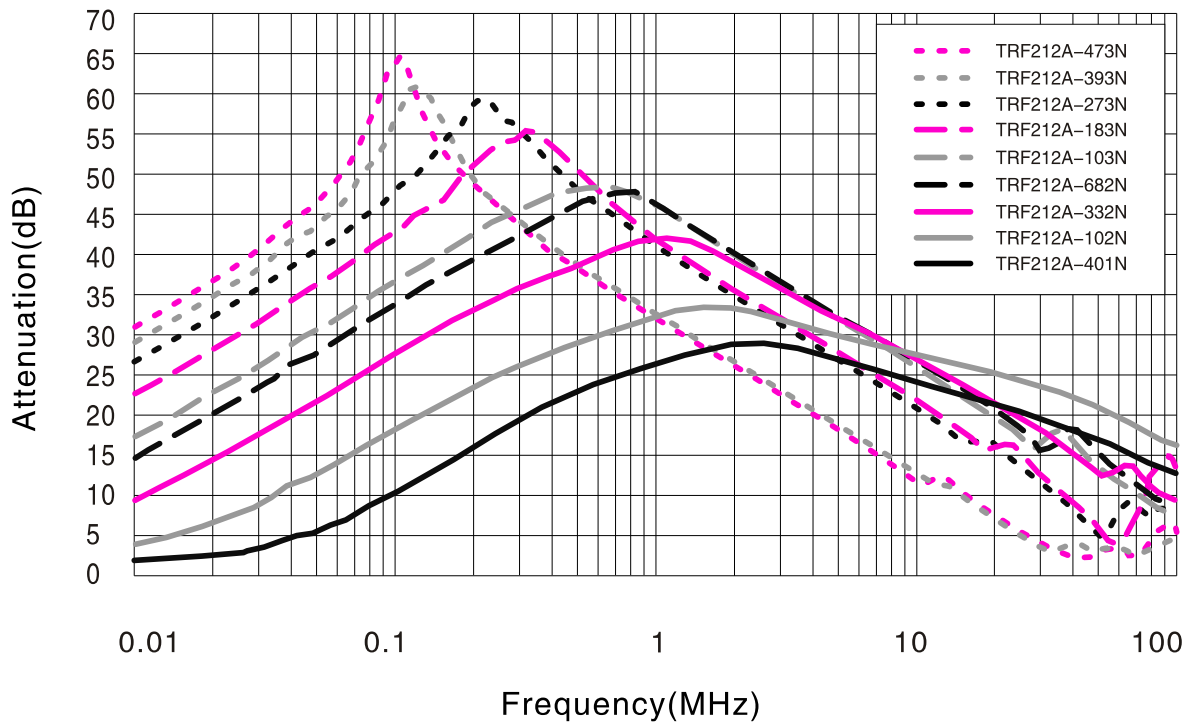
#### Winding



#### Notes:

Rated voltage.....250Vac  
 Frequency.....50/60Hz  
 Insulation test voltage..... 1500V  
 Operating temperature.....-25 °C to +125 °C  
 Housing..... UL94 V-0

## ATTENUATION COMMON MODE



## ATTENUATION DIFFERENTIAL MODE

