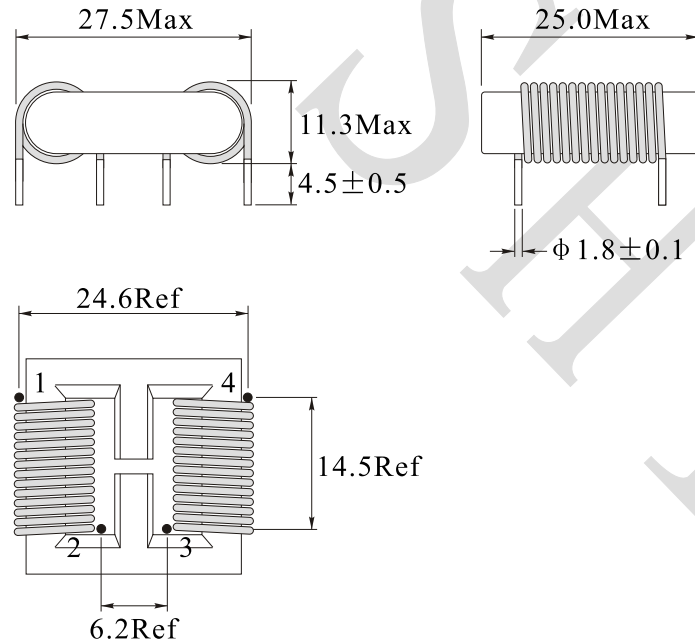


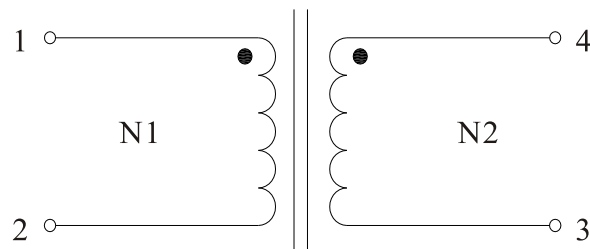
Rev.	Description	Date
A0	New release	2022.08.08

1. PHYSICAL CHARACTERISTICS (mm)



Bottom view

2. ELECTRONICAL SCHEMATIC



3. ELECTRONICAL SPECIFICATIONS

Inductance: 150uH±40%@10KHz,0.1V

LK: 5.6uH Max@10KHz,0.1V

RDC: 1.9mΩ Max

Rated current: 20A Max

Rated voltage: 250Vac

Hi-Pot; 1500Vac,5mA,2S N1 to N2

Operating temperature: -40°C to +115°C

Storage temperature: -40°C to +60°C

Test Instrument:

L: HP4284A

RDC: HM2540

Note:

1.Solderability:leads shall meet MIL-STD-202,

Method 208D for solderability.

2.Flammability: UL94V-0

3.ASTM oxygen index: >28%

NAME:	Common mode inductor		
CUSTOMER P/N:	7448680180	DATE:	2022-08-08
SHINHOM P/N:	ETV2320H-151Y-20A	REV: A0	PAGE
DRAWN BY	CHECKED BY	APPROVE BY	



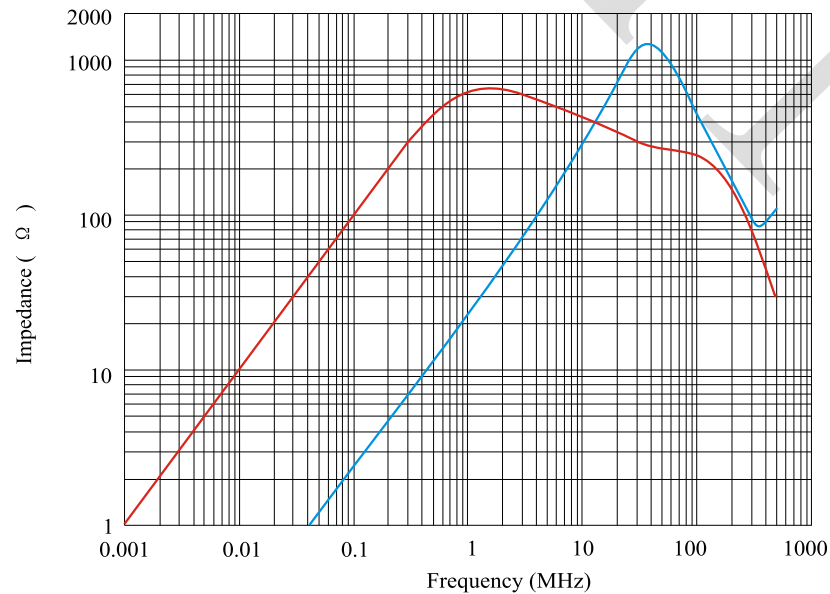
SHINHOM
SHAANXISHINHOM ENTERPRISE CO LTD

The Document property belong to SHINHOM & is not allowed to be duplicated without authorization

Test Setup

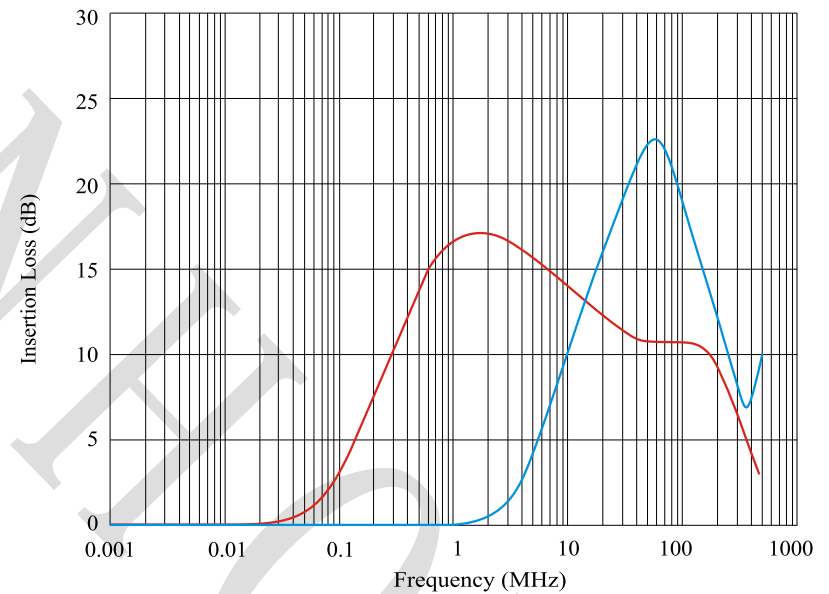


Impedance VS Frequency



Common mode: ———
 Differential mode: ———

Insertion loss VS Frequency



Common mode: ———
 Differential mode: ———

NAME:	Common mode inductor		
CUSTOMER P/N:	7448680180	DATE:	2022-08-08
SHINHOM P/N:	ETV2320H-151Y-20A	REV:	A0
DRAWN BY	CHECKED BY	APPROVE BY	



SHINHOM
 SHAANXISHINHOM ENTERPRISE CO LTD

The Document property belong to SHINHOM & is not allowed to be duplicated without authorization