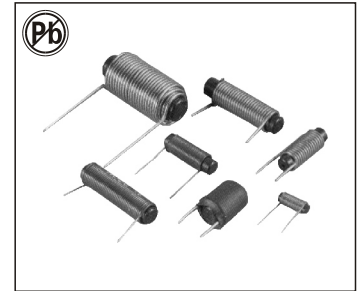


# THROUGH-HOLE HIGH CURRENT RADIAL ROD CHOKES RC0415 SERIES



## FEATURES:

- Low cost design general Purpose inductor
- High Saturation current
- Easy construction that uses Ferrite rod cores

## APPLICATIONS:

- Switching Regulators
- Automotive Systems
- Power Amplifiers
- Power Supplies
- EMI/RFI suppression
- DC line Filters

## ELECTRICAL CHARACTERISTICS:

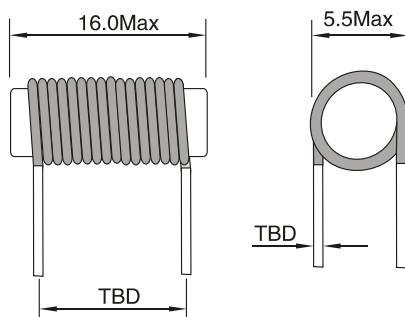
Part Number	L uH	DCR Ω Max	IDC A Max	SRF (MHz) Min	Wire size (mm)	Turns
RC0415-4R7K	4.7	0.024	2.26	90	0.60	17.5
RC0415-5R6K	5.6	0.030	1.90	80	0.55	18.5
RC0415-6R8K	6.8	0.040	1.57	80	0.50	18.5
RC0415-8R2K	8.2	0.060	1.27	80	0.45	21.5
RC0415-100K	10	0.080	1.00	70	0.40	24.5

Note:1. K= ± 10%, M= ± 20%

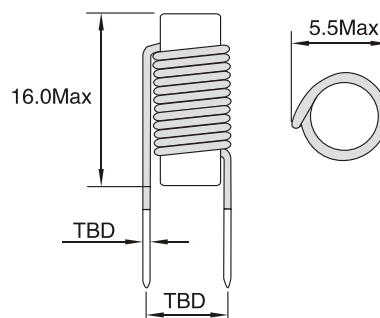
## TECHNICAL INFORMATION & PHYSICAL CHARACTERISTICS:

DIMENSIONS IN:mm

Horizontal



Vertical



- Inductance measured with zero D.C current
- Increment current reduces inductance by ≤ 10%
- Operating temperature: -20°C~+80°C
- Test Equipment

Note:All specifications subject to change without notice.