

DOUBLE CORE COMMON MODE POWER LINE CHOKE

TRF2206VT-D SERIES



FEATURES:

- MnZn and Ni-ZnCore material
- Suppression of noise in a broad frequency range (100kHz to 100MHz)
- Combined noise and burst filter
- Increases electromagnetic immunity

APPLICATIONS:

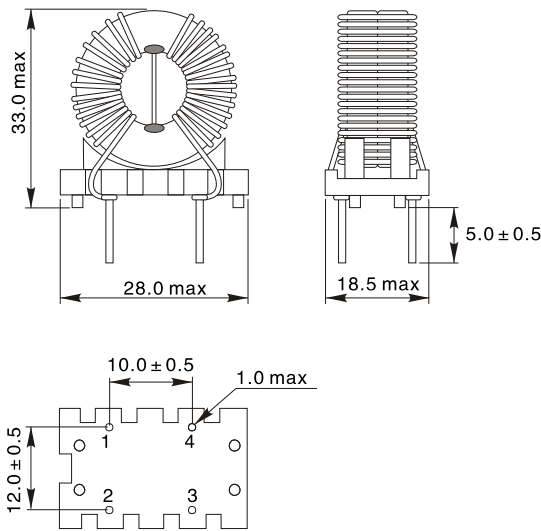
- Power electronics
- EMC filter
- Mains line filter
- Interference suppression in motors
- Common mode filters

ELECTRICAL CHARACTERISTICS:

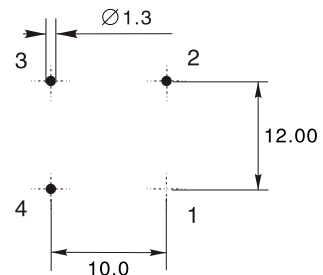
Part Number	L (uH)	Rated Current (A)	RDC max. (mΩ)	Rated voltage (Vac)
TRF2206VT-D-470Y	47	15	4.6	250
TRF2206VT-D-101Y	100	14	6	250
TRF2206VT-D-221Y	220	12	9	250
TRF2206VT-D-471Y	470	9	16	250
TRF2206VT-D-102Y	1000	4.5	42	250

PHYSICAL CHARACTERISTICS:

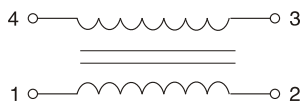
Dimensions 1



Hole pattern(in mm)



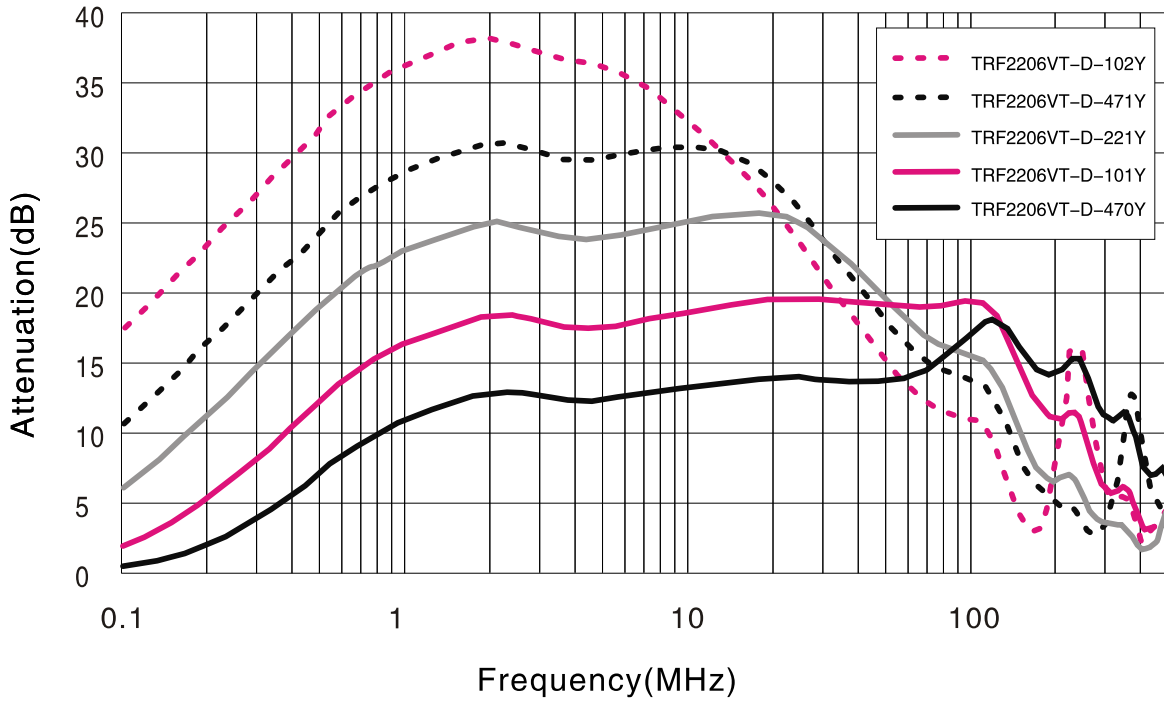
Winding



Notes:

Rated voltage.....250Vac
 Frequency.....50/60Hz
 Insulation test voltage..... 1500V
 Operating temperature.....-40 °C to +125 °C
 Housing..... UL94 V-0

ATTENUATION COMMON MODE



ATTENUATION DIFFERENTIAL MODE

