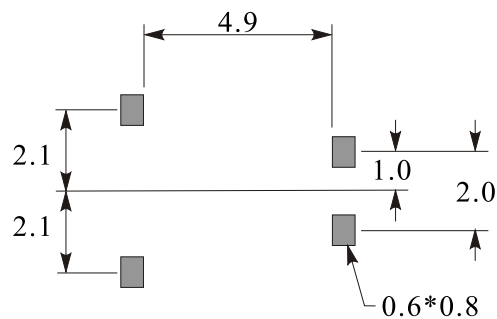
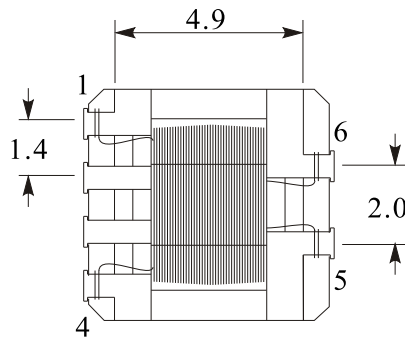
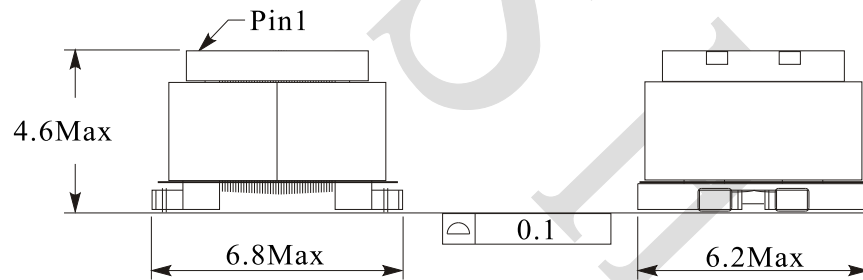


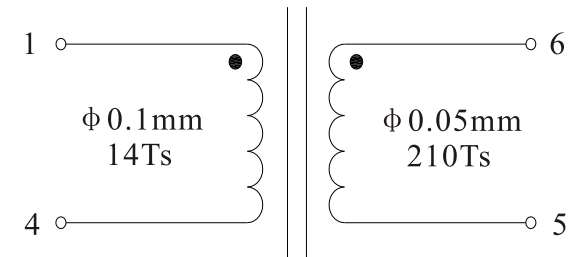
Rev.	Description	Date
A0	New release	2017.03.20

## 1. PHYSICAL CHARACTERISTICS (mm)



Recommended LAN Pattern

## 2. ELECTRICAL SCHEMATIC



## 3. ELECTRICAL SPECIFICATIONS

- Turns ratio: (1-4):(6-5)=1:15
- L(1-4): 15uH ± 10% @ 1.0KHz, 1V
- Lk: 0.3uH Max @ 100KHz, 0.1V
- DCR(1-4): 1.0 Ω Max
- DCR(6-5): 25 Ω Max
- I<sub>pk</sub>: 1.2A
- Inductance(I<sub>pk</sub>): 13.5uH Min @ 1.0KHz, 1V
- Ambient temperature: -40°C to +125°C
- Operating temperature: -40°C to +125°C

NAME:	High voltage transformers		
CUSTOMER P/N:	CJ5143-AL	DATE:	2017-03-20
SHINHOM P/N:	HT5143	REV: A0	PAGE
DRAWN BY	CHECKED BY	APPROVE BY	



**SHINHOM**  
SHAANXISHINHOM ENTERPRISE CO LTD

The Document property belong to SHINHOM & is not allowed to be duplicated without authorization